

# Deflector Post



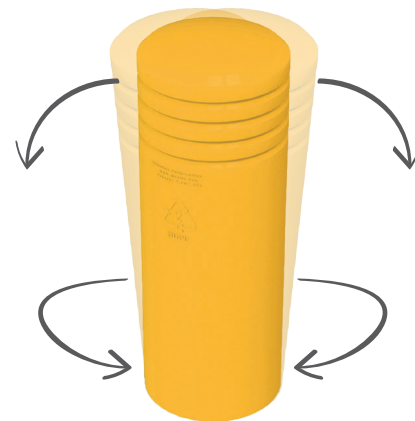
## Sometimes the best defense is rolling with it.

Distributing impact energy with rock and spin capabilities, the Deflector Post protects against glancing blows—perfect for high-traffic corners. Engineered to install fast and require no maintenance, it keeps your business rolling right along.

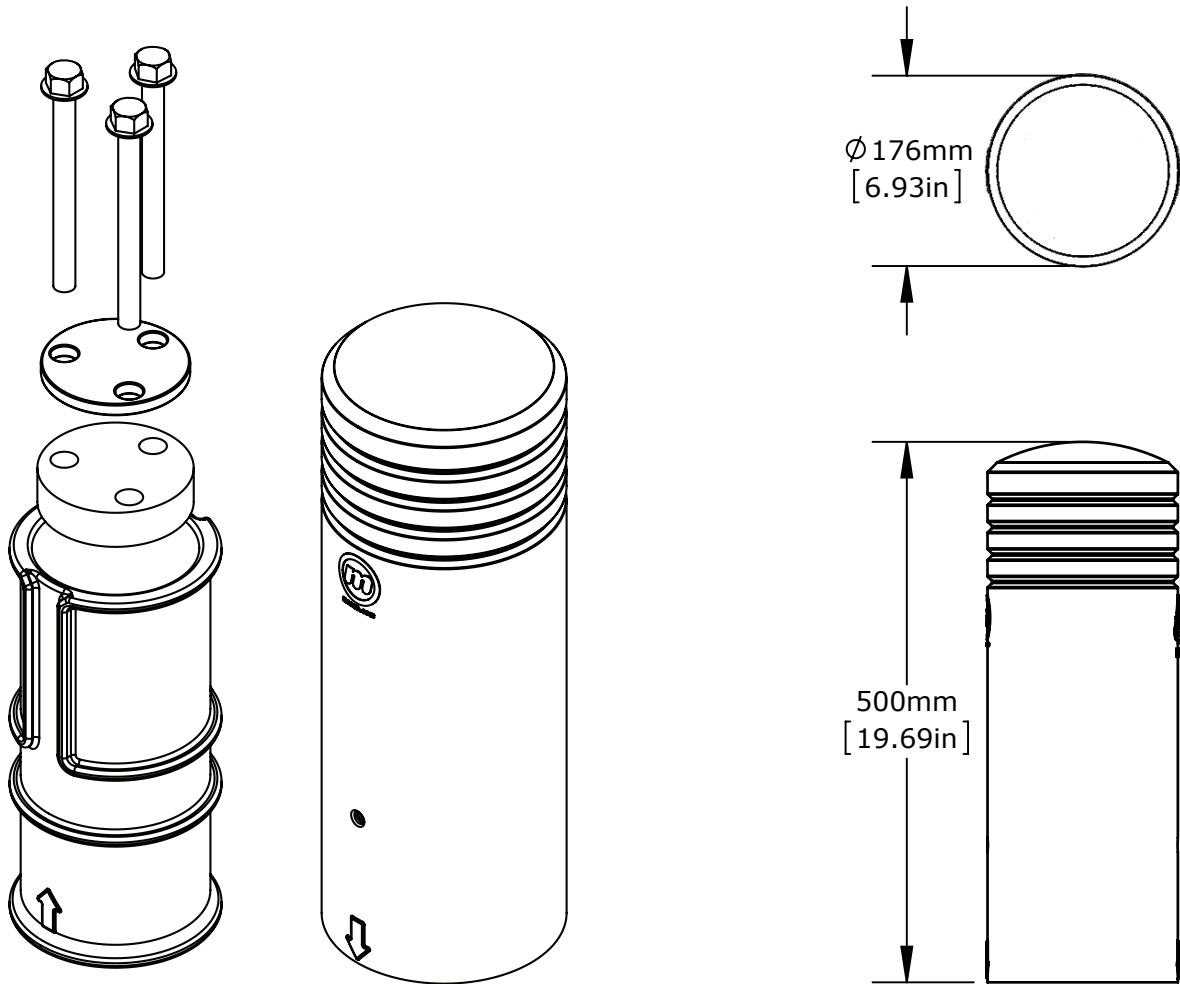
**Rotating HDPE Shell** Exclusive design spins, rolls and lifts when hit

**Shock-Absorbing Core** Absorbs impacts, preventing damage to your facility

**Zero Maintenance** Install it once, get peace of mind for years



# Deflector Post



## Deflector Post

DP-K-007-307

Materials: HDPE shell, iron core, rubber damper, anchor kit



**Guides your equipment around high traffic corners to avoid damage.**



**McCue Corporation**  
Peabody, MA 01960, USA  
+1 (800) 800 8503  
customercare@mccue.com

**McCue UK & Europe**  
Milton Keynes, United Kingdom  
+44 (0)1908 365 511  
uksales@mccue.com

**McCue Asia**  
迈客(厦门)有限公司  
Xiamen, Fujian, China  
+86-592-2200790

[mccue.com](http://mccue.com)

