

Column Guard



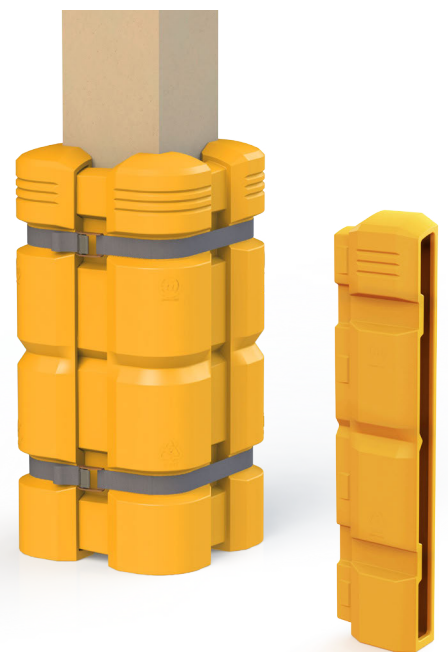
Nothing slows down productivity like hitting a one-ton steel column.

The modular, shock-absorbing assembly installs securely and cushions columns, equipment and drivers from impacts. Protect the structural integrity of your facility and the financial integrity of your business.

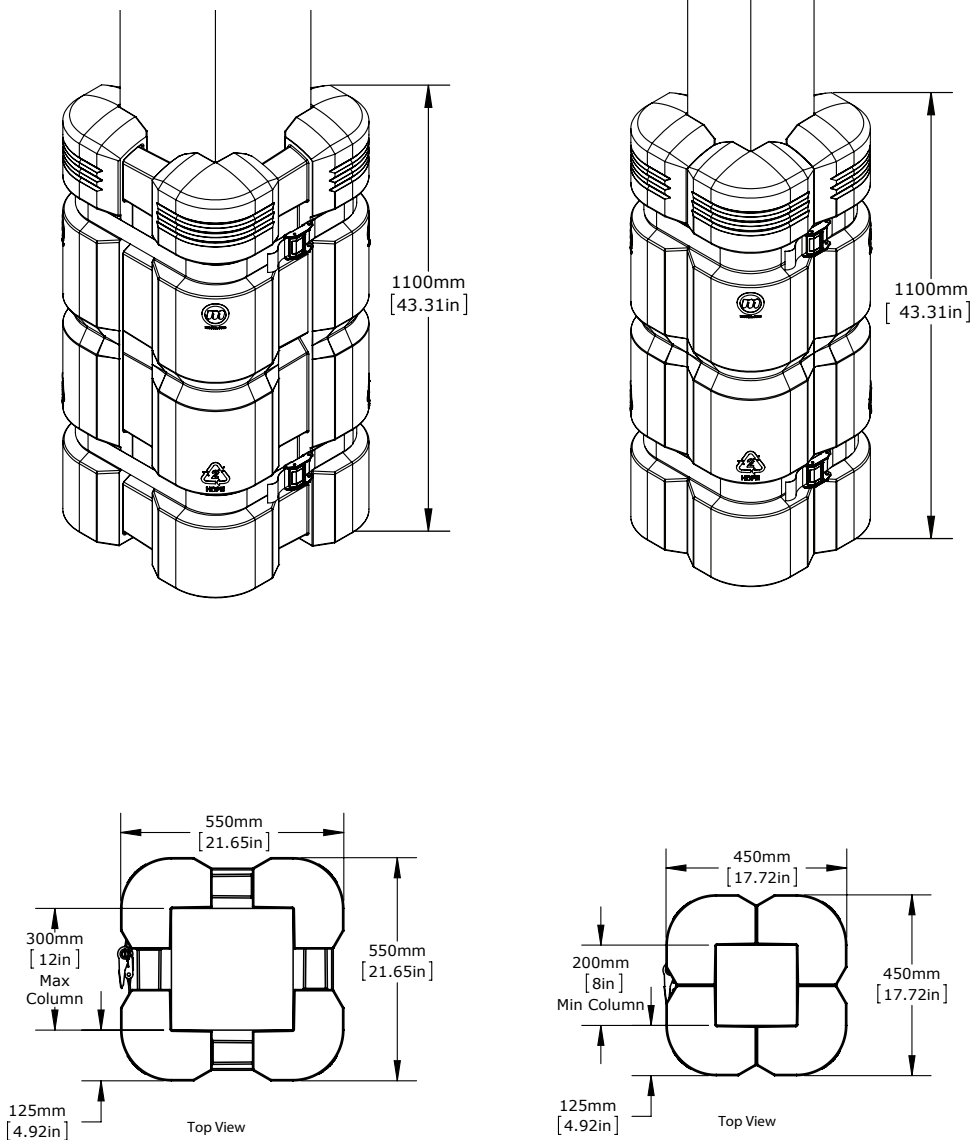
Easy Installation With 2 adjustable straps, no special skills or equipment required

Adjustable Fit Modular design fits a variety of column sizes

Low Maintenance Hi-visibility plastic requires no welding or painting



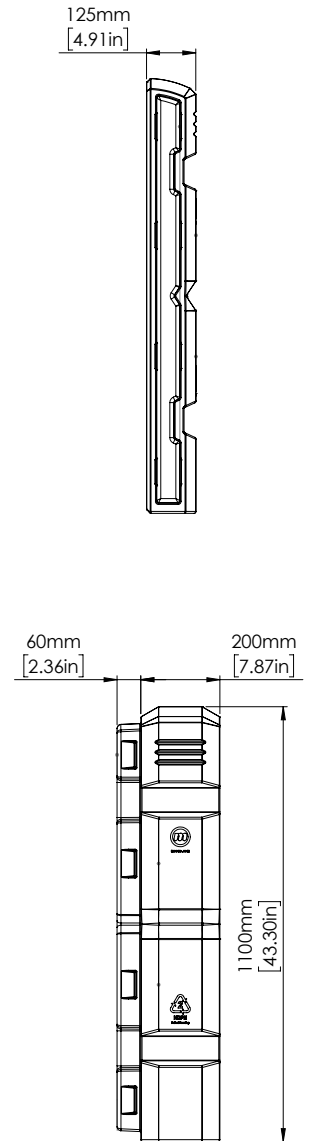
Column Guard



Column Guard:

Materials: HDPE shell Column Guard, 2 straps

CG-K-812-307



Column Guard Extender

Materials: HDPE shell

CG-C-008 -307



McCue Corporation
Peabody, MA 01960, USA
+1 (800) 800 8503
customer@care@mccue.com

McCue UK & Europe
Milton Keynes, United Kingdom
+44 (0)1908 365 511
uksales@mccue.com

McCue Asia
迈客(厦门)有限公司
Xiamen, Fujian, China
+86-592-2200790

mccue.com

