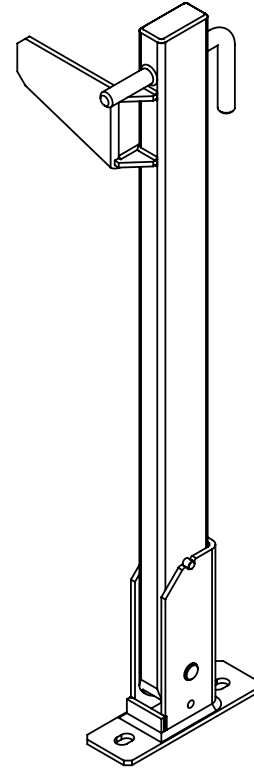
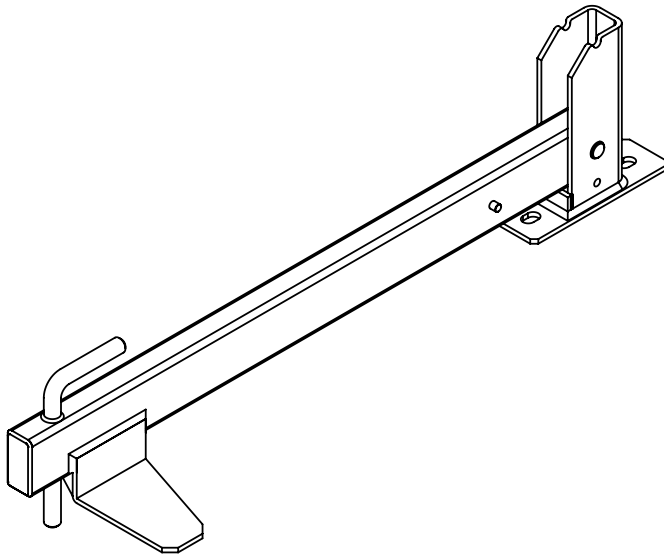
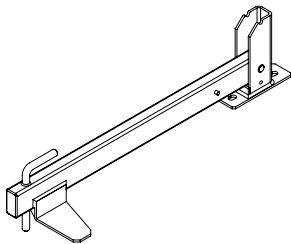


# Loading Door Protector

## INSTALLATION INSTRUCTIONS



### Components



Loading Door Protector  
CSLDP-KIT



Flang (2)  
CSFHD-10



Anchors (4)  
CS-HARDWARE-5830

### Tools Required



Hammer  
Drill



1/2" Drill  
Bit



Impact  
Driver



13/16"  
Socket



Mallet



Tape  
Measure



Pencil or  
Marker



Dust  
Pan



**McCue Corporation**  
Peabody, Massachusetts, USA  
+1 (800) 800 8503  
customer@McCue.com

**McCue UK & Europe**  
Milton Keynes, United Kingdom  
+44 (0)1908 365 511  
uksales@McCue.com

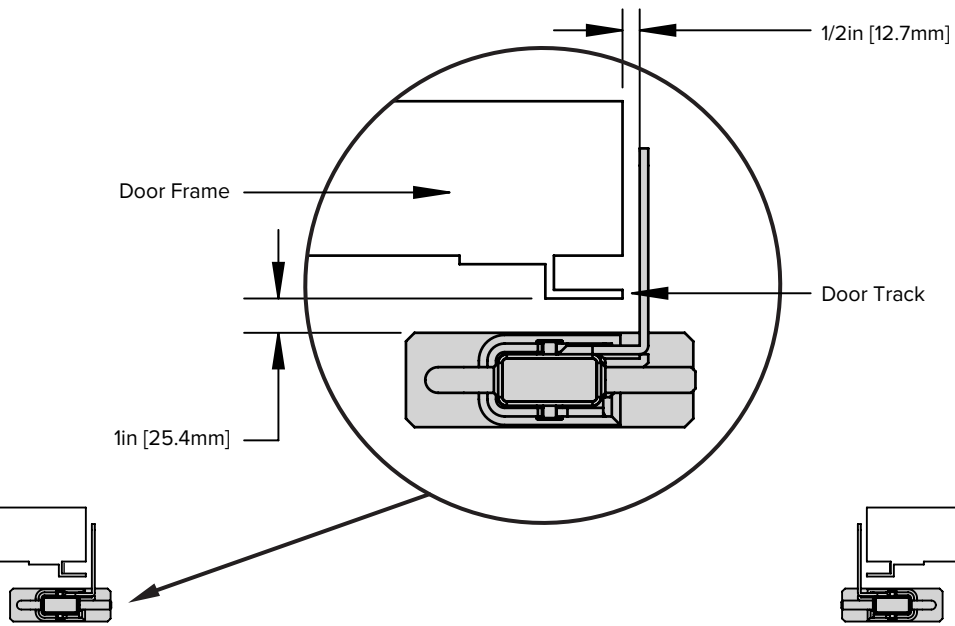
**McCue Asia**  
迈客(厦门)有限公司  
Xiamen, Fujian, China  
+86-592-2200790

[McCue.com](http://McCue.com)

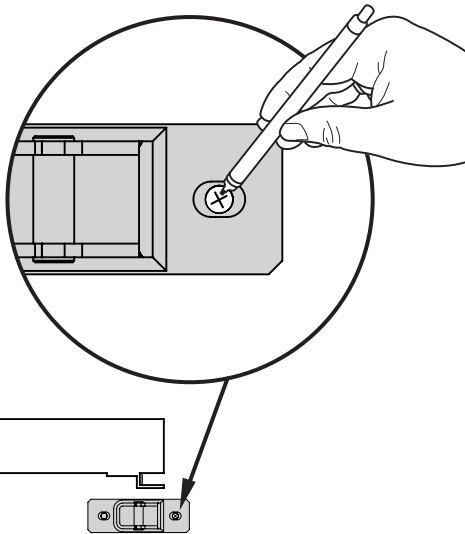




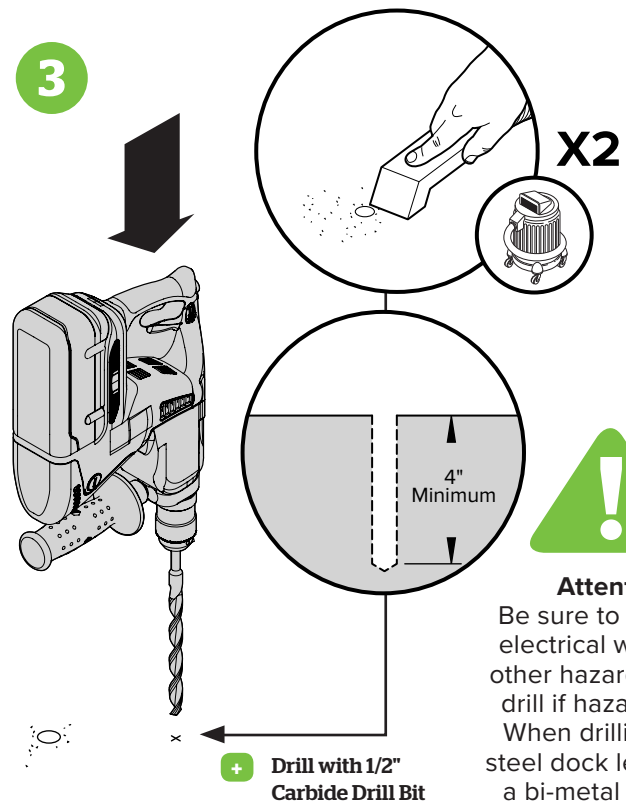
1



2



3



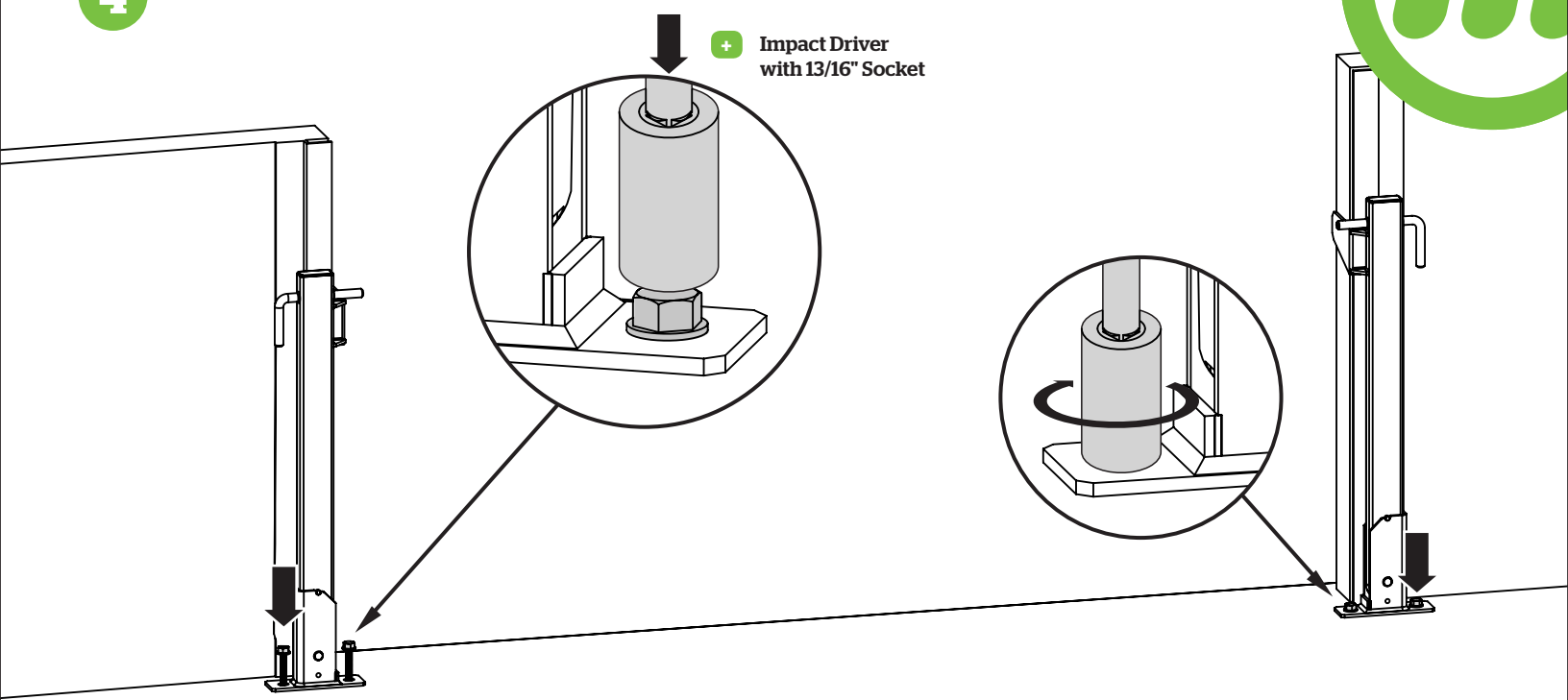
**Attention:**

Be sure to check for electrical wiring and other hazards. Do not drill if hazards exist. When drilling into a steel dock leveler, use a bi-metal hole saw and lubrication oil.

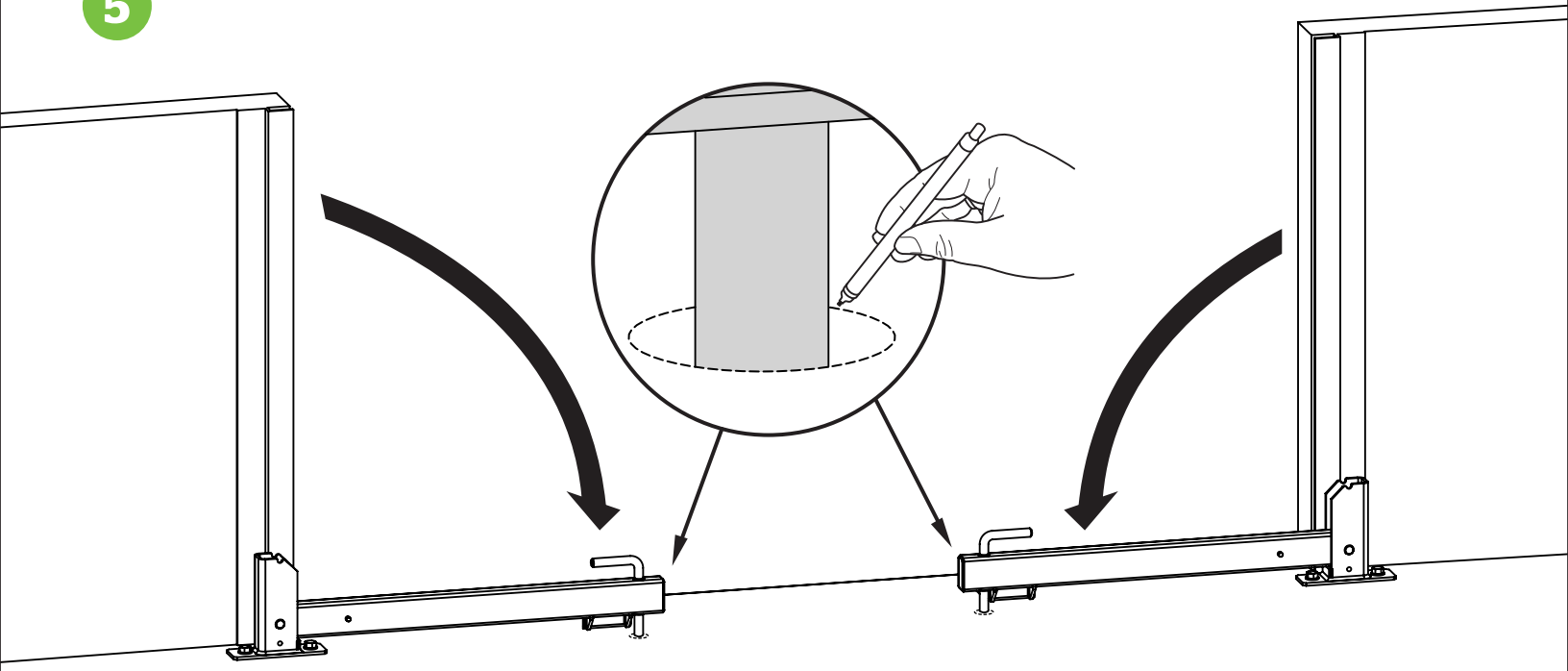


4

+ Impact Driver  
with 13/16" Socket

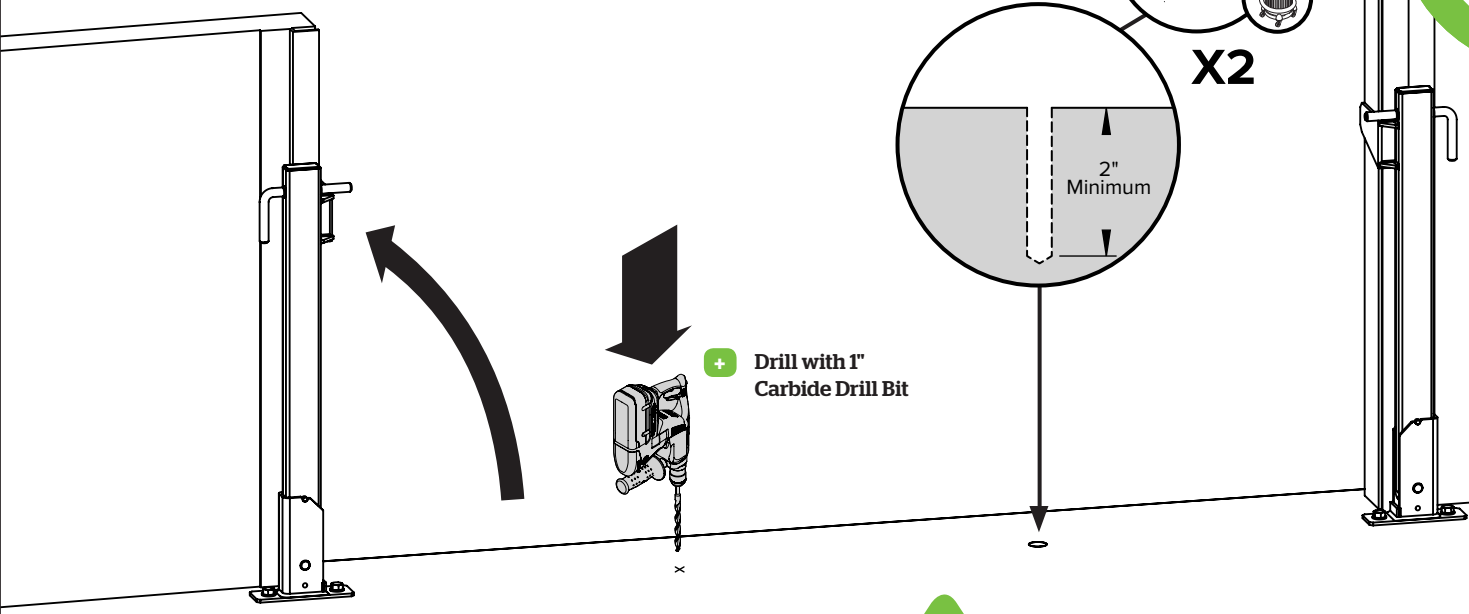


5



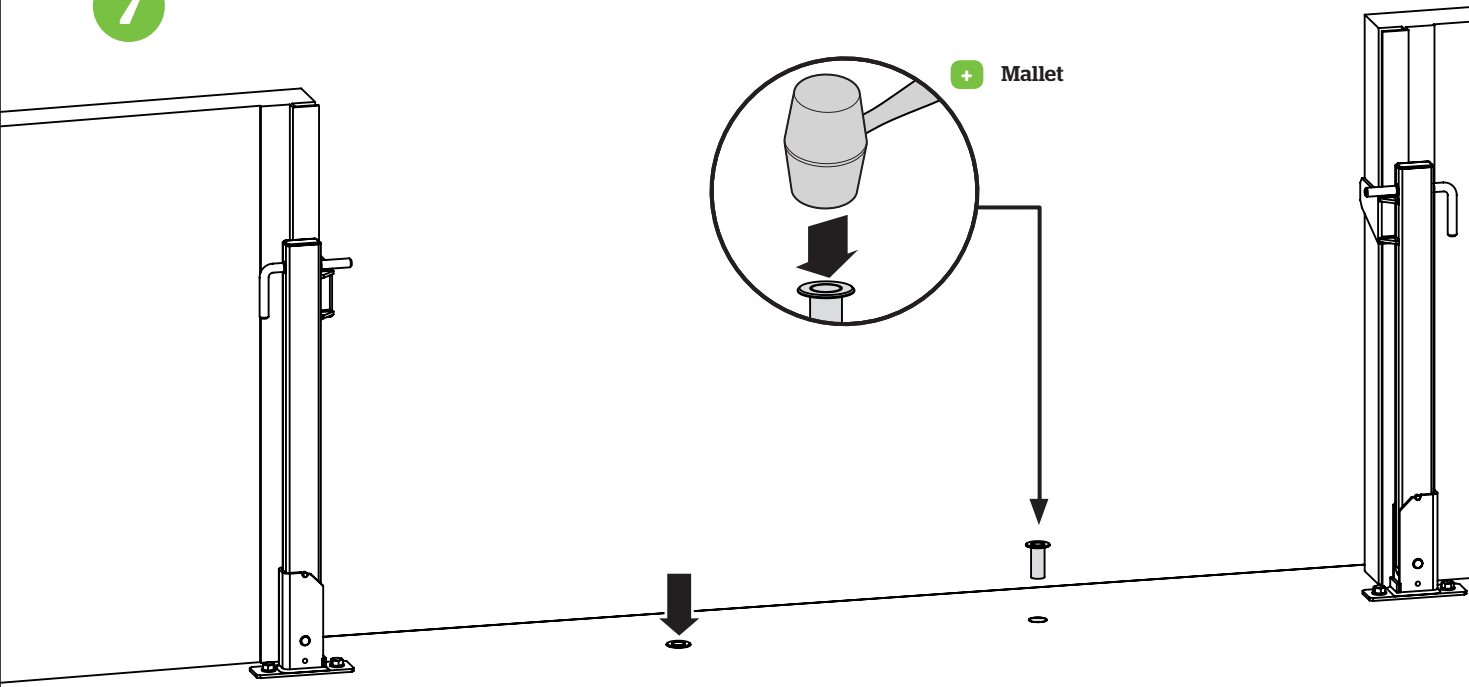


6



**Attention:** Be sure to check for electrical wiring and other hazards. Do not drill if hazards exist.

7



8

