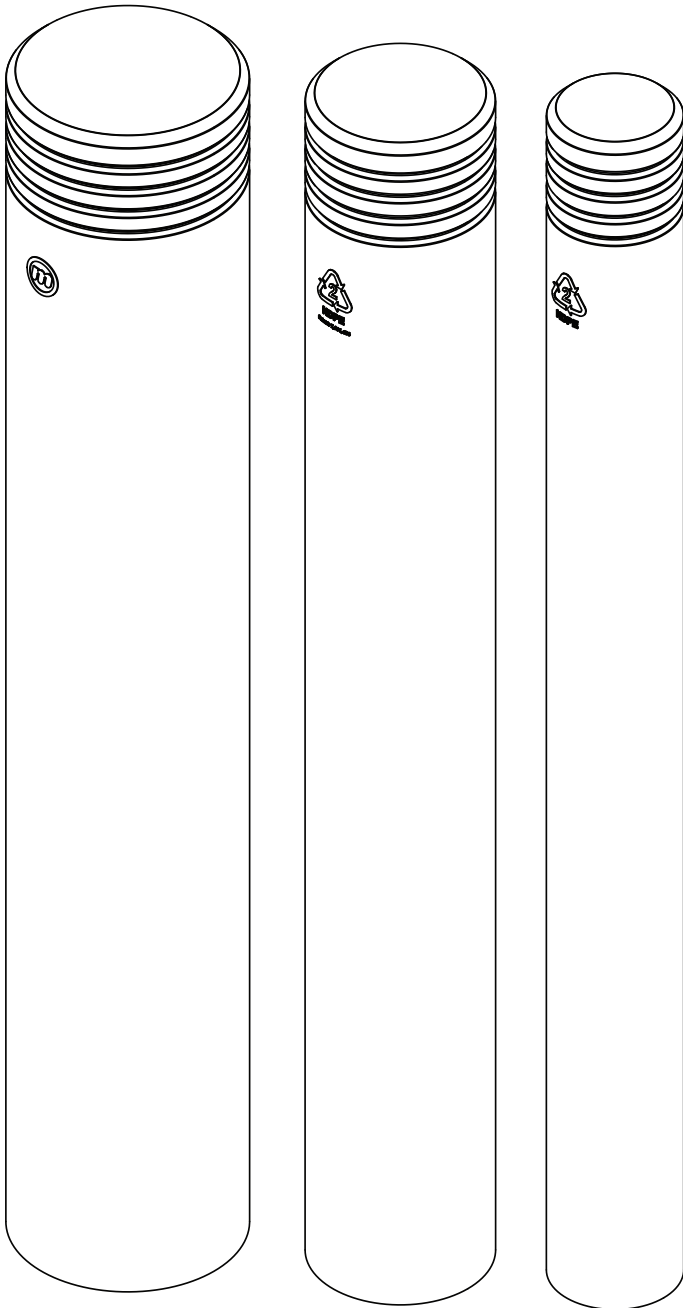


FlexCore Bollard

CONCRETE ANCHOR INSTALLATION



FlexCore 8

FC8

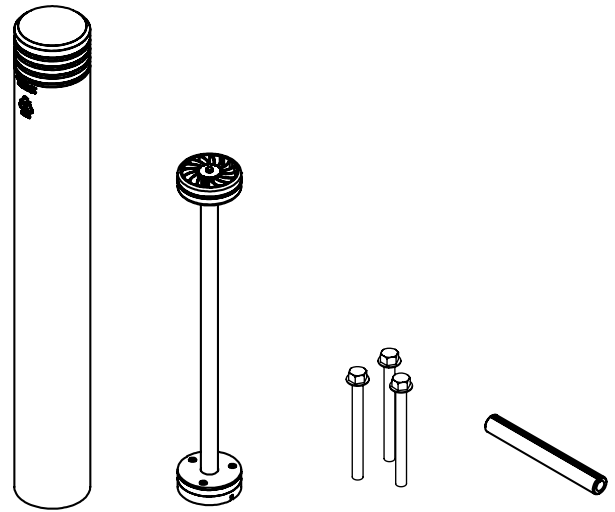
FlexCore 6

FC6

FlexCore 4

FC4

Components



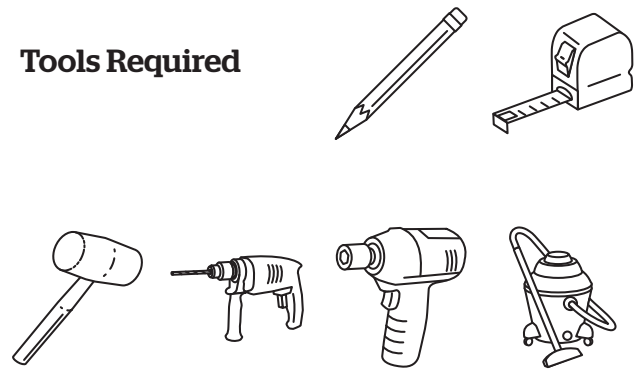
Shell

Core Assembly

Concrete Anchors (3)

Locking Pin

Tools Required



FC4 19mm, 3/4"
FC6 19mm, 3/4"
FC8 24mm, 15/16"



FC4 12.7mm, 1/2"
FC6 12.7mm, 1/2"
FC8 15.9mm, 5/8"



McCue Corporation
 Peabody, Massachusetts, USA
 +1 (800) 800 8503
 customercare@mccue.com

McCue UK & Europe
 Milton Keynes, United Kingdom
 +44 (0)1908 365 511
 uksales@mccue.com

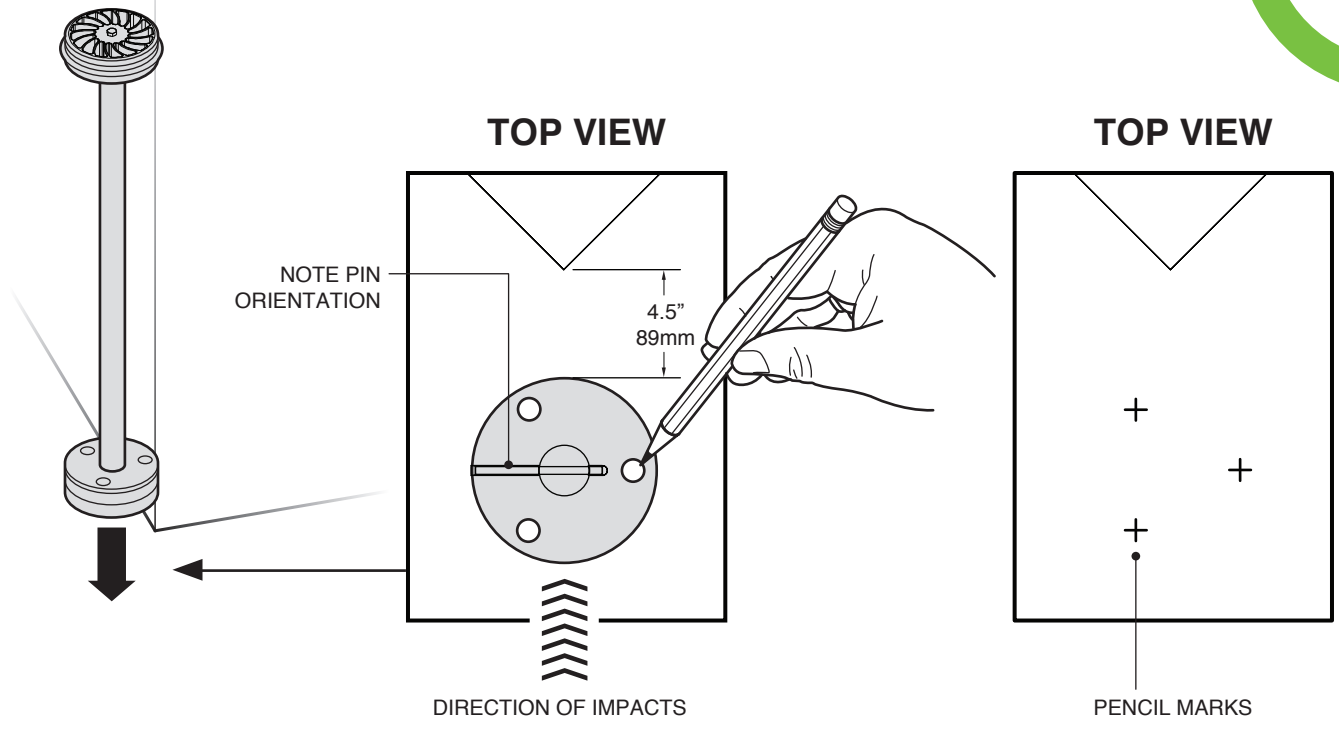
McCue Asia
 迈客(厦门)有限公司
 Xiamen, Fujian, China
 +86-592-2200790

mccue.com

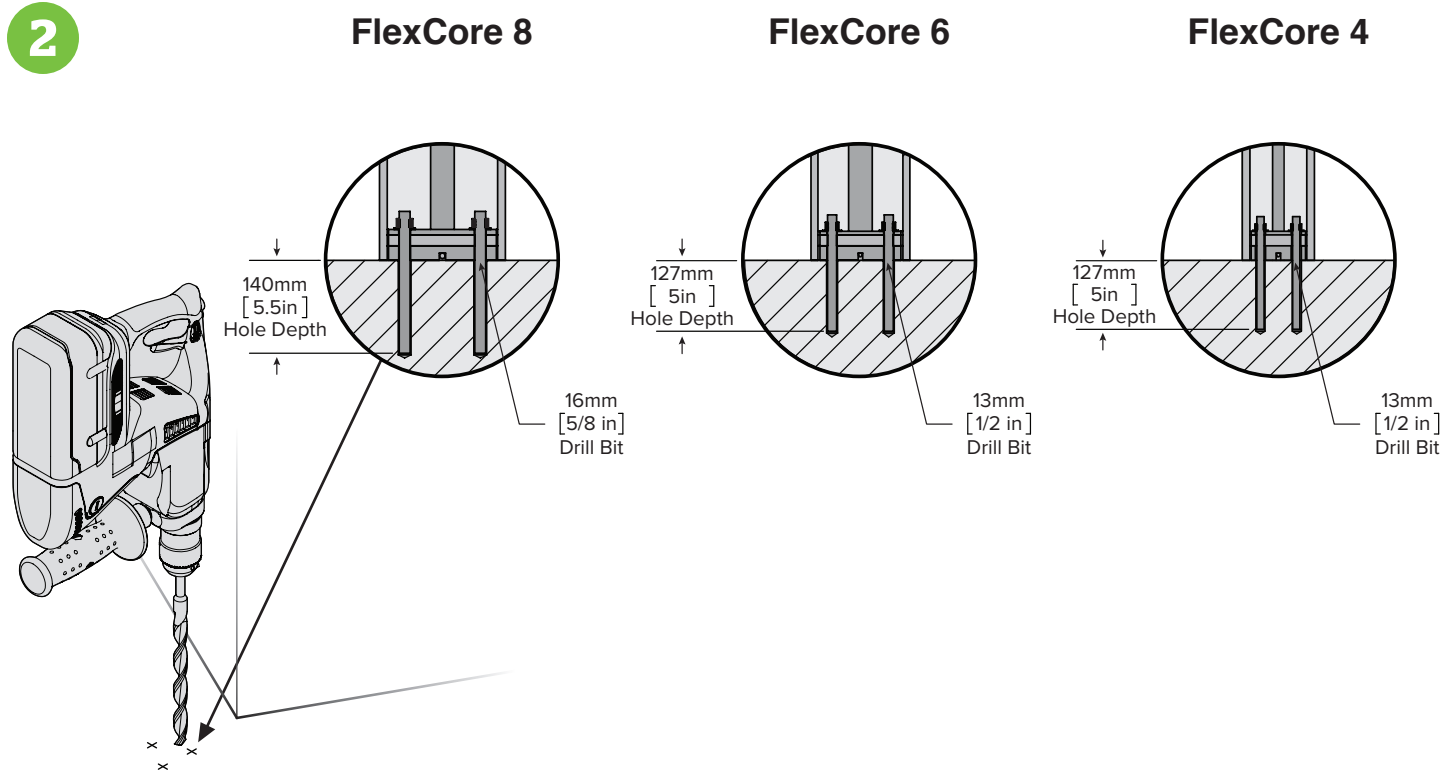




1

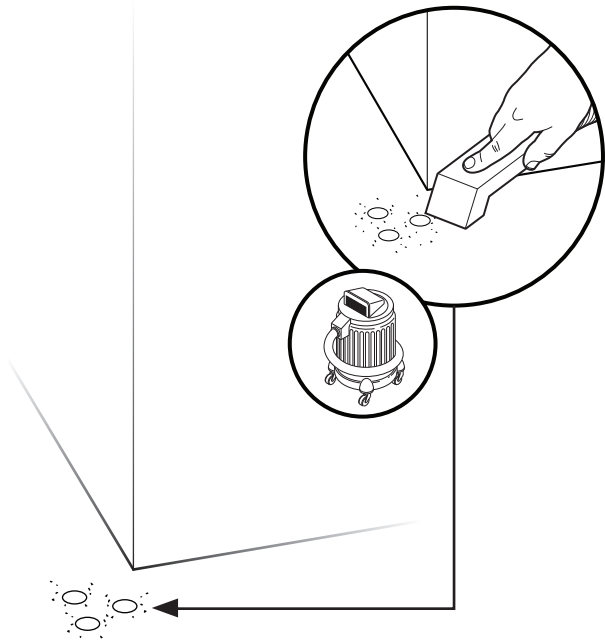


2

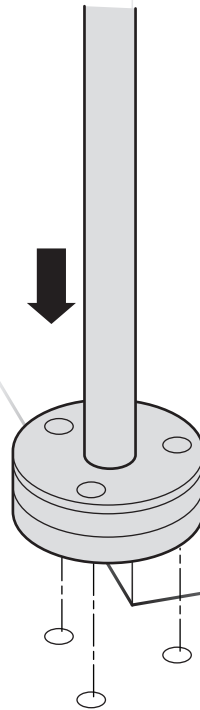




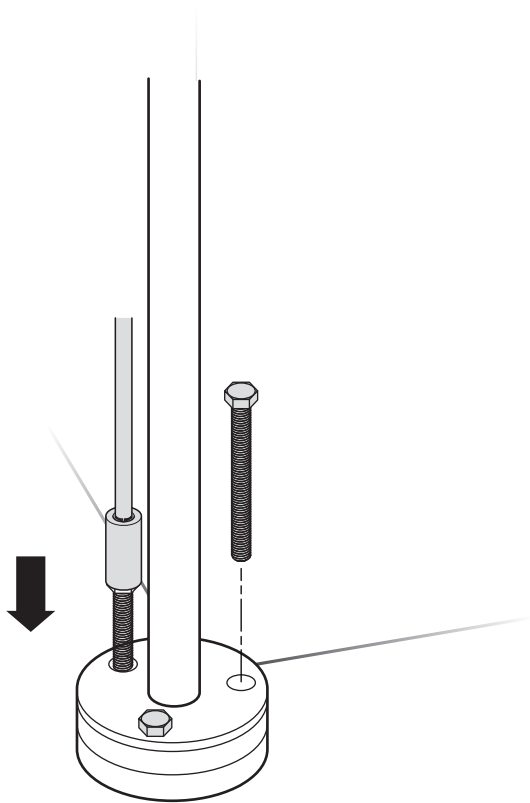
3



4



5

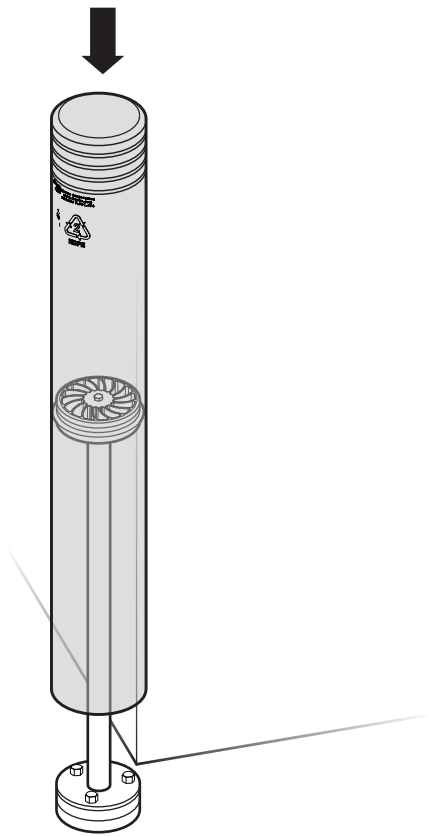


6

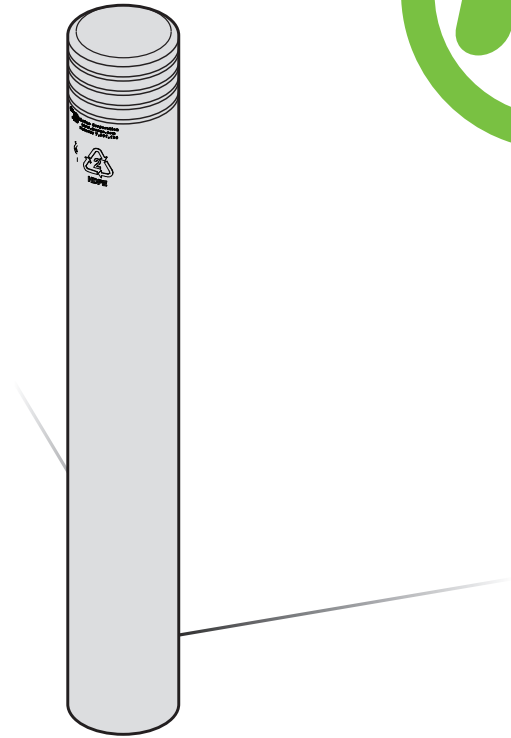




7



8



9

Optional

