

Corner Guard Standard



Takes the heavy hits from carts, pallet jacks and scrubbers so your fixtures won't have to.

Our Corner Guards protect valuable corners from damage. They mount right up against the case, eliminating tripping hazards. They're also removable for thorough cleaning.

Quick Installation flange anchor system—eliminating messy adhesives

Adjustable Leg posts adjust up to ¼" for strong fit and easy removal

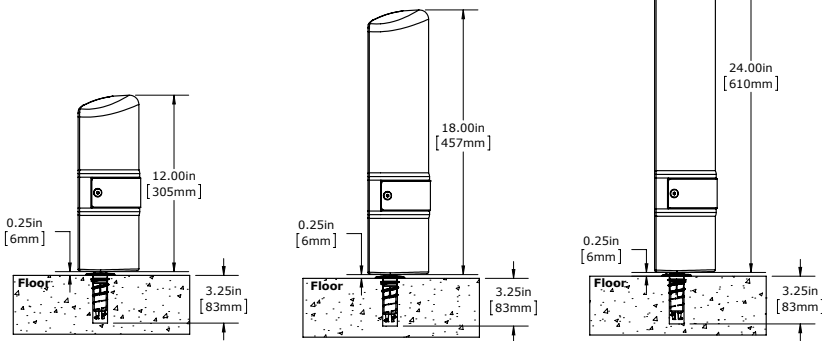
Slim Design Installs tight to corners



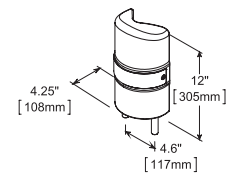
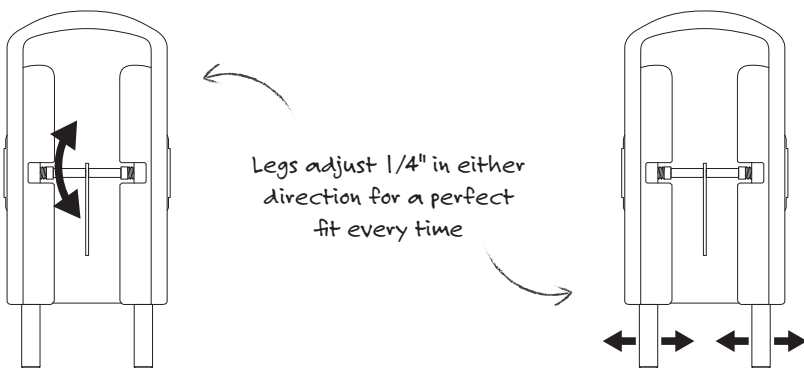
Corner Guard Standard



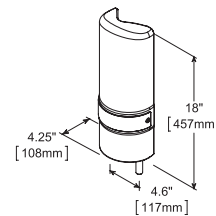
Full corner protection in three heights!



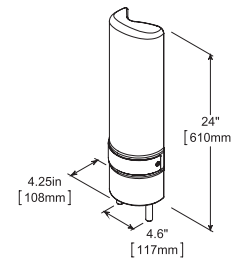
How It Works:



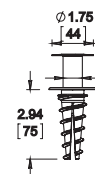
12" Corner Guard
GARD-ADJ-12-COLOR
 (2) Flange Anchor Kits Included



18" Corner Guard
GARD-ADJ-18-COLOR
 (2) Flange Anchor Kits Included



24" Corner Guard
GARD-ADJ-24-COLOR
 (2) Flange Anchor Kits Included



Flange Anchor
CSFA-10-KIT
 Stainless mounting sleeve and plastic anchor

401
Black

Standard Colors
 2 week lead for quantity 1-24.
 Inquire for quantities 25 or more.



Custom Color Matching
 Pre-matched colors ship within 3 weeks. Otherwise allow 6-8 weeks for delivery. Minimums may apply.

Patents 7507050, 6991413



McCue Corporation
 Peabody, MA 01960, USA
 +1 (800) 800 8503
 customercare@mccue.com

McCue UK & Europe
 Milton Keynes, United Kingdom
 +44 (0)1908 365 511
 uksales@mccue.com

McCue Asia
 迈客(厦门)有限公司
 Xiamen, Fujian, China
 +86-592-2200790

mccue.com

