

# Corner Guard Stainless



## Stay clean and protected with our newest easy-to-install, clean fitting guard.

Our adjustable stainless steel corner guards provide the simple and clean look of stainless with the same scope of protection of our plastic corner guards. Installation is made even easier with our patented twist-and-lock technology.

**Adjustable** Adjustable legs expand or contract 1/4" in either direction

**Strong** 13 gauge (0.090") stainless construction for maximum protection

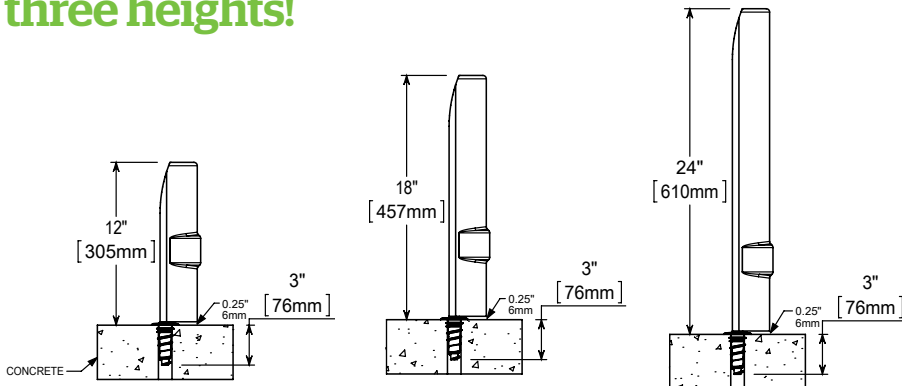
**Safe for Shoppers** Rounded edges and brushed stainless steel finish



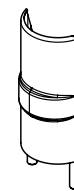
# Corner Guard Stainless



## Full corner protection in three heights!



### How It Works:



### 12" Adjustable Corner Guard

GARD-12-SS

Packed: 1 per box

Type 201 Stainless Steel  
(2) Flange Anchor Kits included



### 18" Adjustable Corner Guard

GARD-18-SS

Packed: 1 per box

Type 201 Stainless Steel  
(2) Flange Anchor Kits included

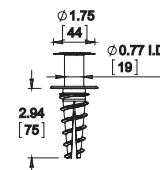


### 24" Adjustable Corner Guard

GARD-24-SS

Packed: 1 per box

Type 201 Stainless Steel  
(2) Flange Anchor Kits included



### Flange Anchor

CSFA-10-KIT

Stainless mounting sleeve and plastic anchor

Lead Times: 1 week lead for quantity 1-49. Inquire for quantities 50 or more.

Patents 7507050, 6991413, 7587790



**McCue Corporation**  
Peabody, MA 01960, USA  
+1 (800) 800 8503  
customer@care@mccue.com

**McCue UK & Europe**  
Milton Keynes, United Kingdom  
+44 (0)1908 365 511  
uksales@mccue.com

**McCue Asia**  
迈客(厦门)有限公司  
Xiamen, Fujian, China  
+86-592-2200790

[mccue.com](http://mccue.com)

