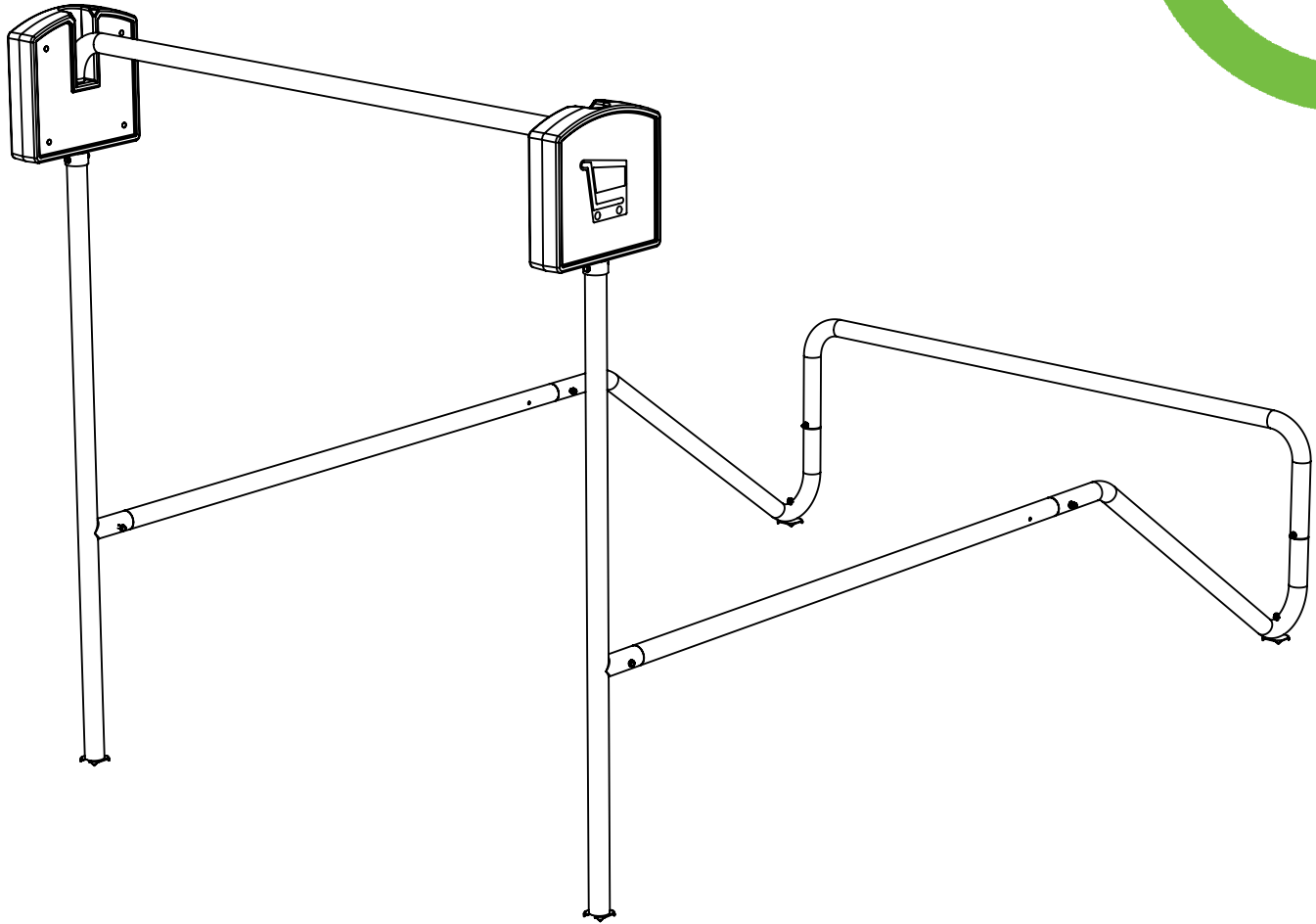
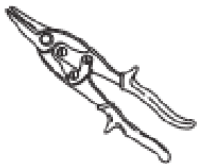


CartMagnet Standard

INSTALLATION INSTRUCTIONS



Tools Required



Tin
Shears



7/32" Allen
Hex Key



Leather
Gloves



3/8" Hex
Bit



9/16"
Socket Bit



Cordless
Drill



Impact
Driver



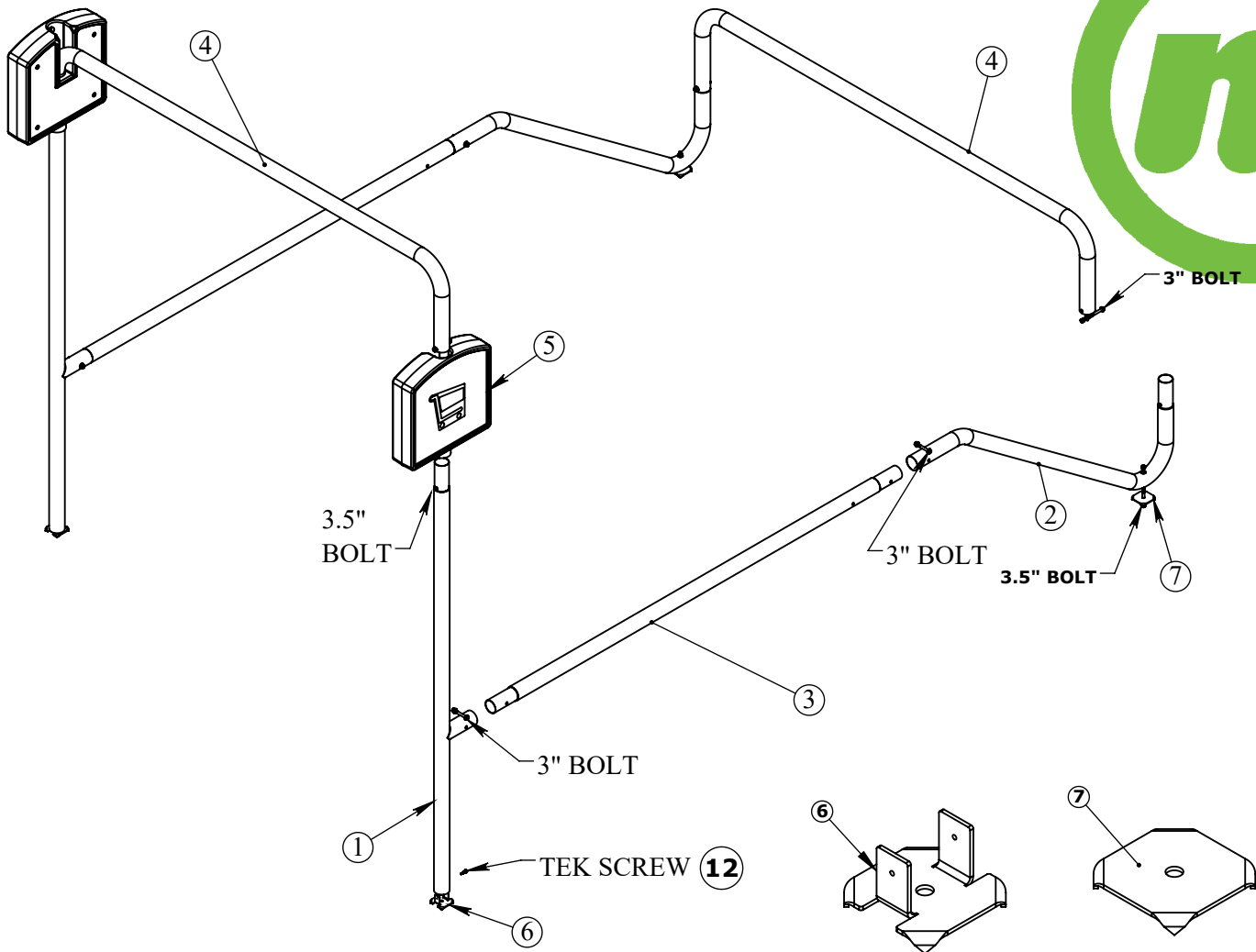
McCue Corporation
Peabody, Massachusetts, USA
+1 (800) 800 8503
customer@McCue.com

McCue UK & Europe
Milton Keynes, United Kingdom
+44 (0)1908 365 511
uksales@McCue.com

McCue Asia
迈客(厦门)有限公司
Xiamen, Fujian, China
+86-592-2200790

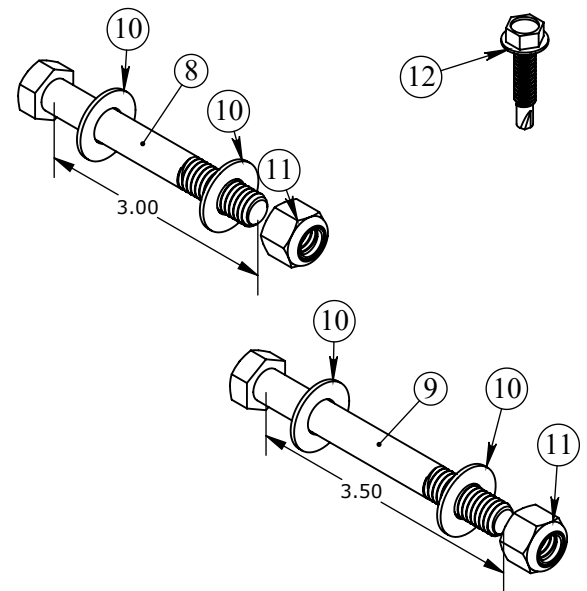
McCue.com





CM-35-### (86.5" C-C) CARTMAGNET, 3 CART, STANDARD (COLOR)			McCUE PART #'S
ITEM #	QTY	DESCRIPTION	
1	2	UPRIGHT, 83.40" LONG, 2.5" OD	CMSC-UPRIGHT
2	2	SIDERAIL, 58.25" LONG, 2.5" OD	CMSC-SIDERAIL
3	2	SIDEBAR, 91.37" LONG, 2.5" OD	CMSC-SIDEBAR
4	2	CROSSBAR, 86.50" C-C X 89" LONG X 17" TALL, 2.5" OD	CMSC-FRONT-CBAR3
5	2	PLASTIC SIGN, 18" LONG X 17" TALL X 4.0" WIDE, COLOR	BCMC-SIGN-BM-###
6	2	FRONT CLEAT, BENT PLATE 3" X 3" X 1.95" TALL	CMSC-CLEAT-FRONT
7	2	BACK CLEAT, PLATE WITH A THRU HOLE	CMSC-CLEAT-BACK
CMS-HARDWARE			
8	6	3/8-16 X 3" LONG HEX HEAD SCREW, ZINC	CM-HW-0.375-16-30-HHS
9	6	3/8-16 X 3.5" LONG HEX HEAD SCREW, ZINC	CM-HW-0.375-16-35-HHS
10	24	3/8 ID X 3/4" OD FLAT WASHERS TYPE A, NARROW, ZINC	CM-HW-0.375-FW
11	12	3/8-16 NYLON INSERT LOCK NUT, ZINC	CM-HW-0.375-16-NILN
12	2	#14 X 1.25 TEK HEX HEAD SELF DRILLING SCREWS, ZINC	CM-HW-14-14-125-SDS

REV 07/03/2017



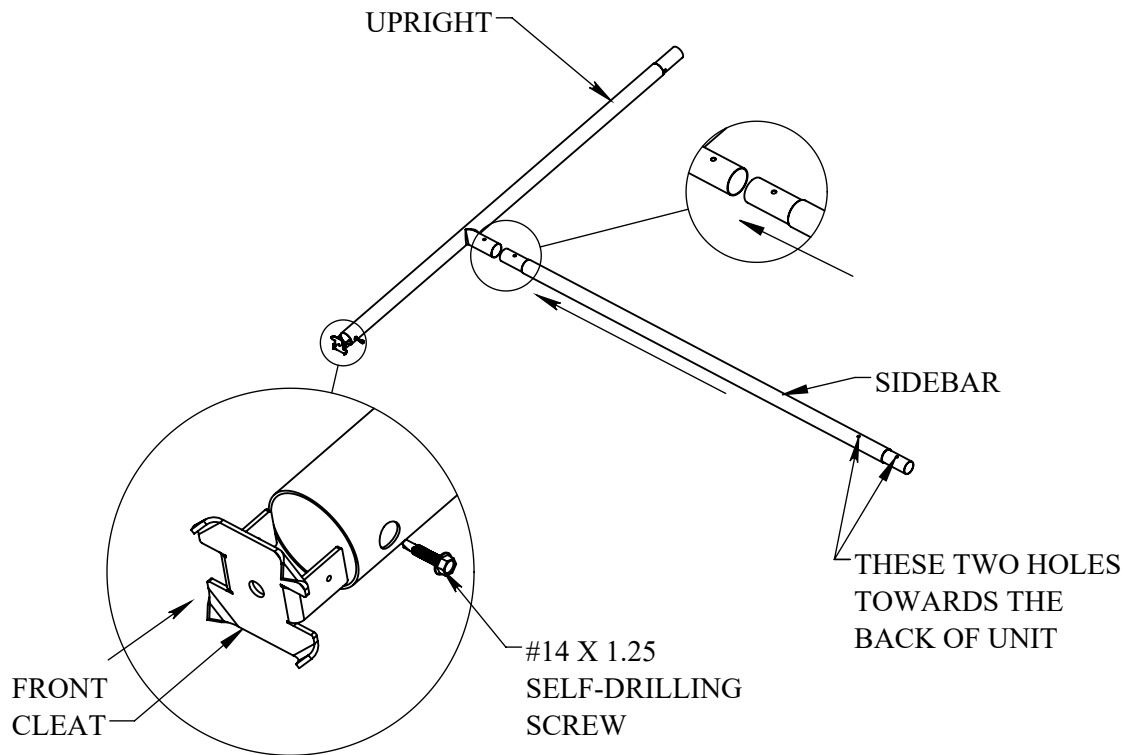
Important:

Assemble on a flat, level surface. All cart corrals should be inspected on a regular basis for damage. McCue recommends a minimum of two inspections per year in the spring and fall. Any damaged pieces, including ground frames and lane dividers which are not flat and flush with the ground, should be replaced with McCue replacement parts.



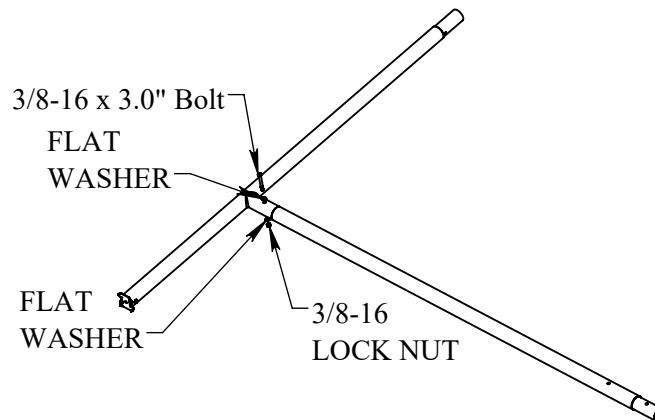
1 Install front Cleat

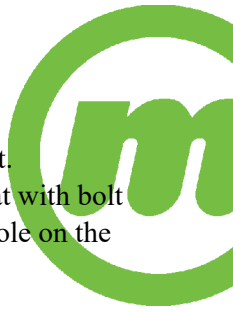
Slide front cleat at the bottom of the upright until flush as show and secure with (1) #14x1.25" self-drilling screw.



2 Connect upright and Sidebar

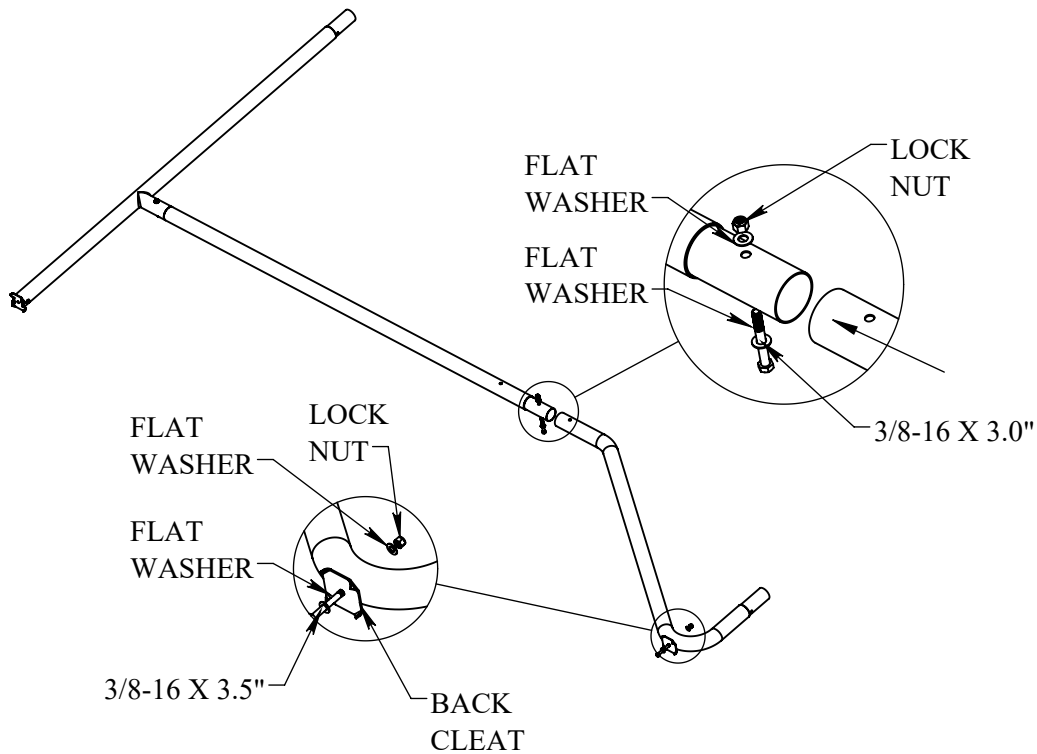
Making sure the Sidebar is inserted into upright, align the holes of Upright and Sidebar. Secure with 3/8-16 x 3.5" long bolts, washers and lock nuts. Repeat to assemble the other side.





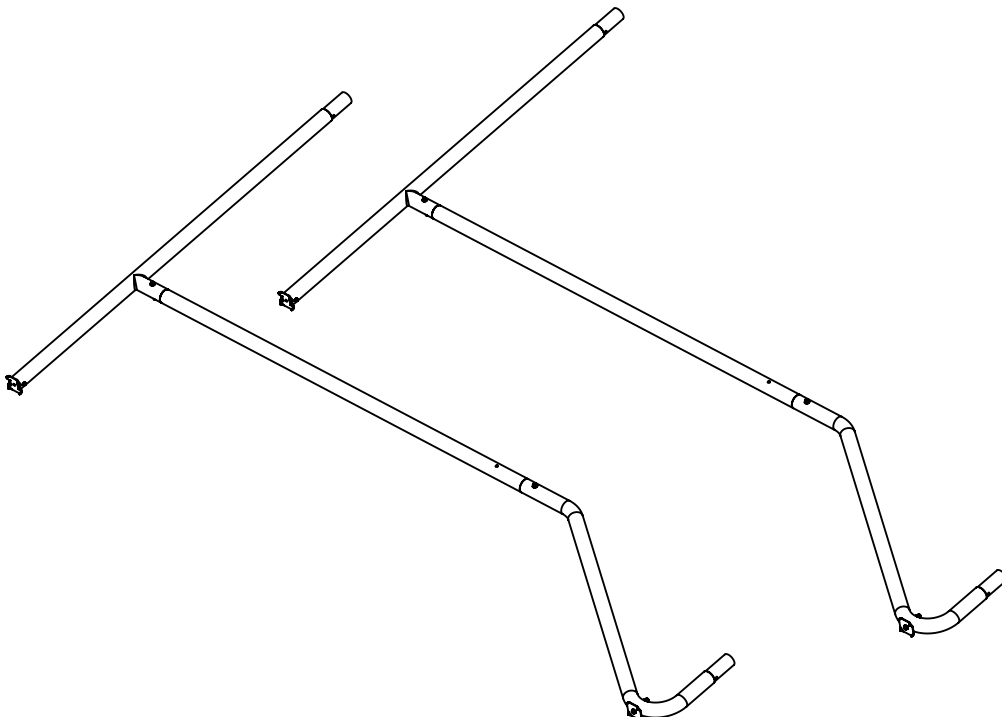
3 Connecting Siderail and back Cleats

Slide siderail onto the sidebar, align the holes and secure with 3/8-16 x 3.0" long bolt, washer and nut. Slide a flat washer onto a 3.5" bolt and insert thru the bottom of back cleat as shown. Slide back cleat with bolt on and washer through the bottom hole of siderail. The bolt should come up through the top of the hole on the siderail. Secure back cleat to the siderail with a washer and lock nut. Repeat to other side.



4 Assemble both sides

Make sure both sides are completely assembled and that all bolts are secured.

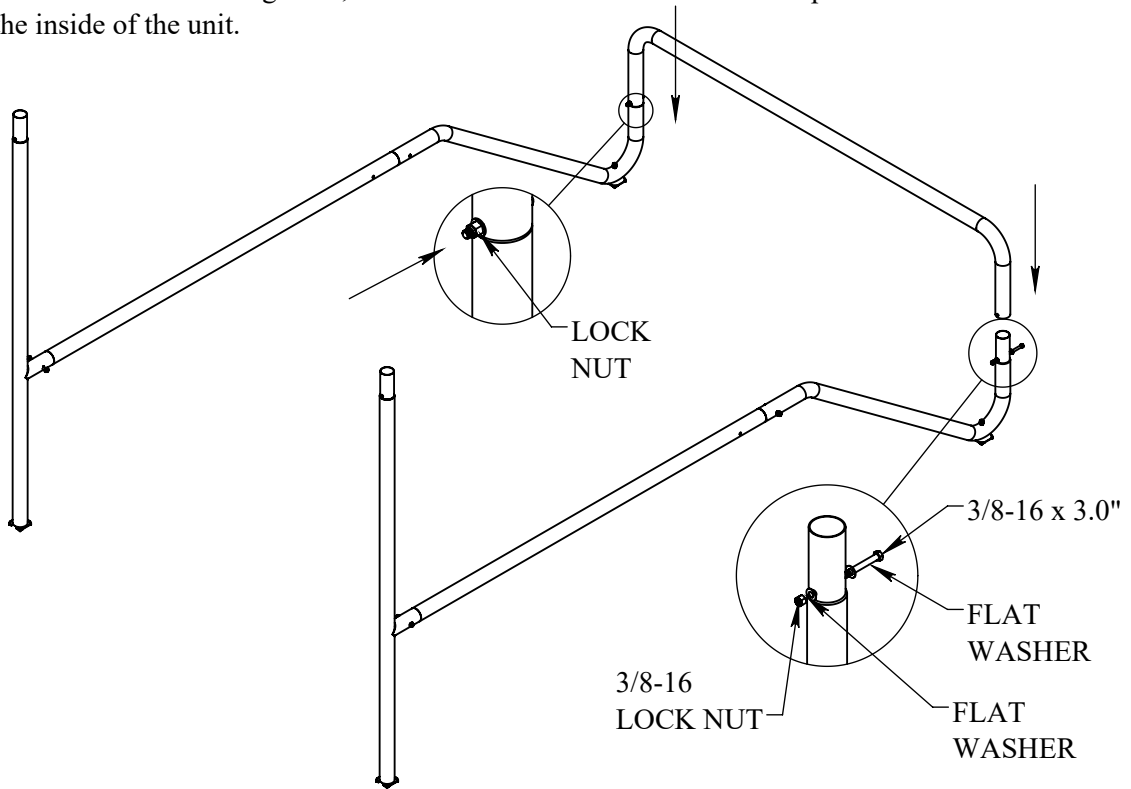




5 Installing back Stopbar

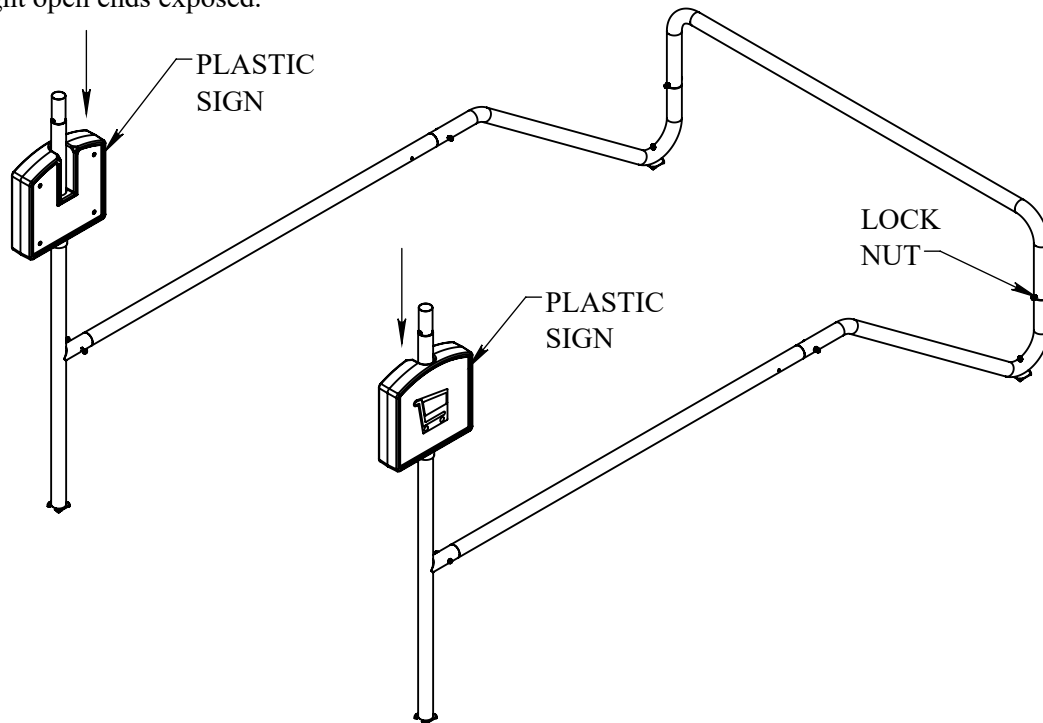
Raise one completed side into the upright position and slide the back stopbar onto the rear of the siderails as shown. Raise the other completed side and slide the back stopbar onto the rear of that side.

Note: the front end and frame must be squared in order for the holes to align with the back stopbar. Use the included 3/8-16 x 3.0" long bolts, washers and lock nuts to secure the stopbar. Make sure the lock nut is facing the inside of the unit.



6 slide plastic signs

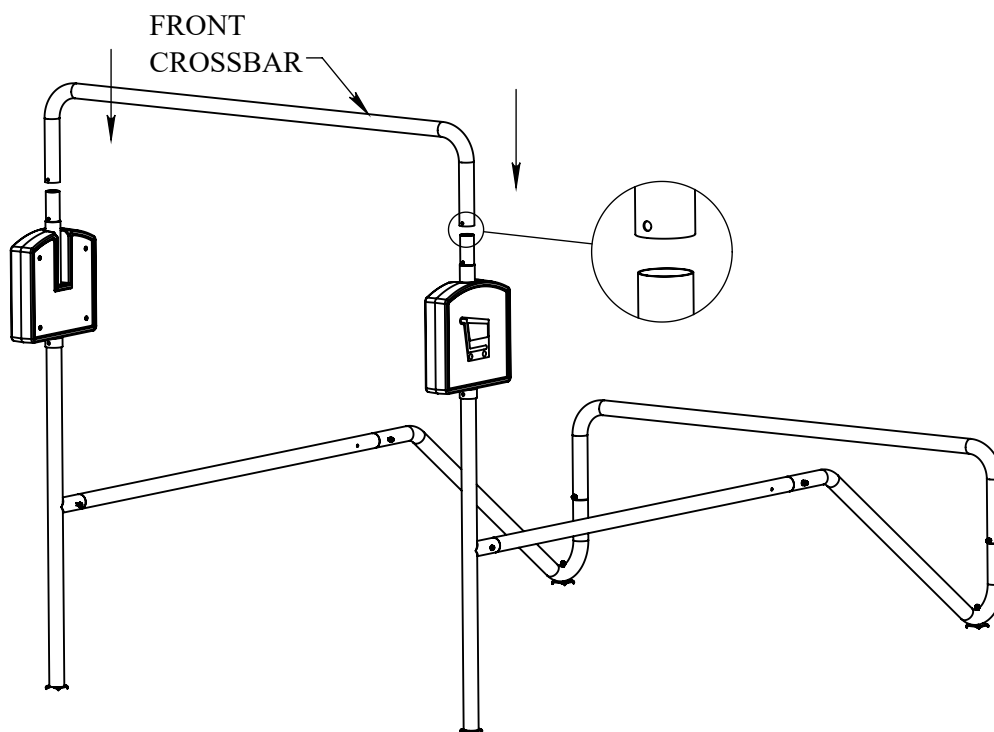
Slide plastic signs onto upright making sure the cart logo are facing the outside. Make sure to leave the upright open ends exposed.





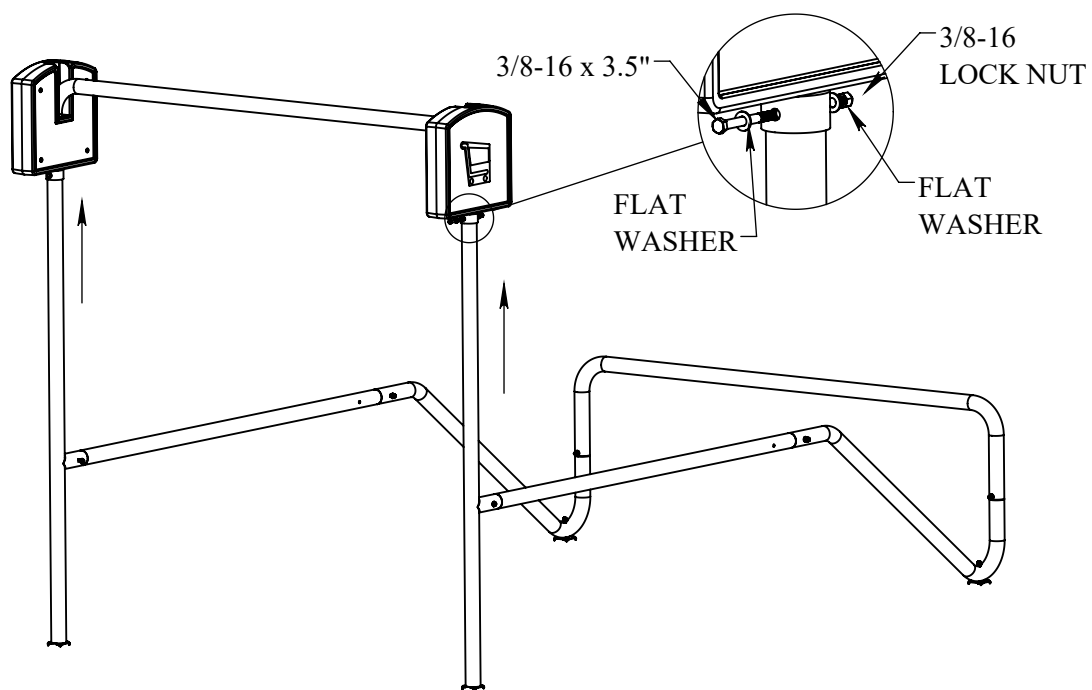
7 Attach crossbar with unsecured signs to the front of the unit

Lift crossbar onto the front uprights and align holes. Make sure uprights are standing vertical.



8 Secure Signs to the front of the Unit

Slide the plastic signs up and over connection. Secure each sign to crossbar and upright with (1) 3/8-16 x 3.50" long bolt, washers and lock nut using a wrench with a 9/16" socket. The bolts should be fully secured.



9 Your unit is now complete

