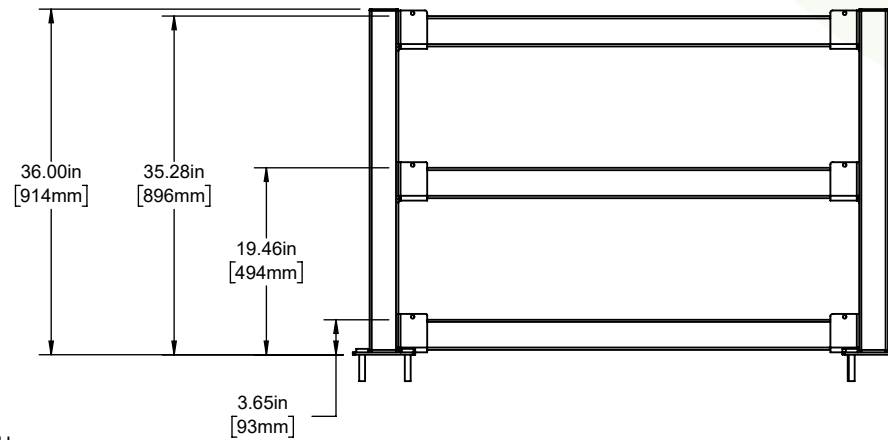


Fixing Detail  
SCALE 1 : 8

2.75in [70mm]  
ANCHOR DEPTH



**PROPRIETARY-CONFIDENTIAL:** This document contains information proprietary to McCue Corporation. This information is not to be used in any way, disclosed to others or reproduced, in whole or in part, except as expressly authorized in writing by McCue Corporation. Any reproduction of this document, in whole or in part, must include this notice.

**Customer Drawing**  
Systems Protector



**McCue US**  
(978) 741 8500  
CustomerCare@mccue.com

**McCue UK**  
+44 1908-365-511  
UKCServices@mccue.com

**McCue China**  
+86-592-2200 790  
ChinaOffice@mccue.com

[mccue.com](http://mccue.com)